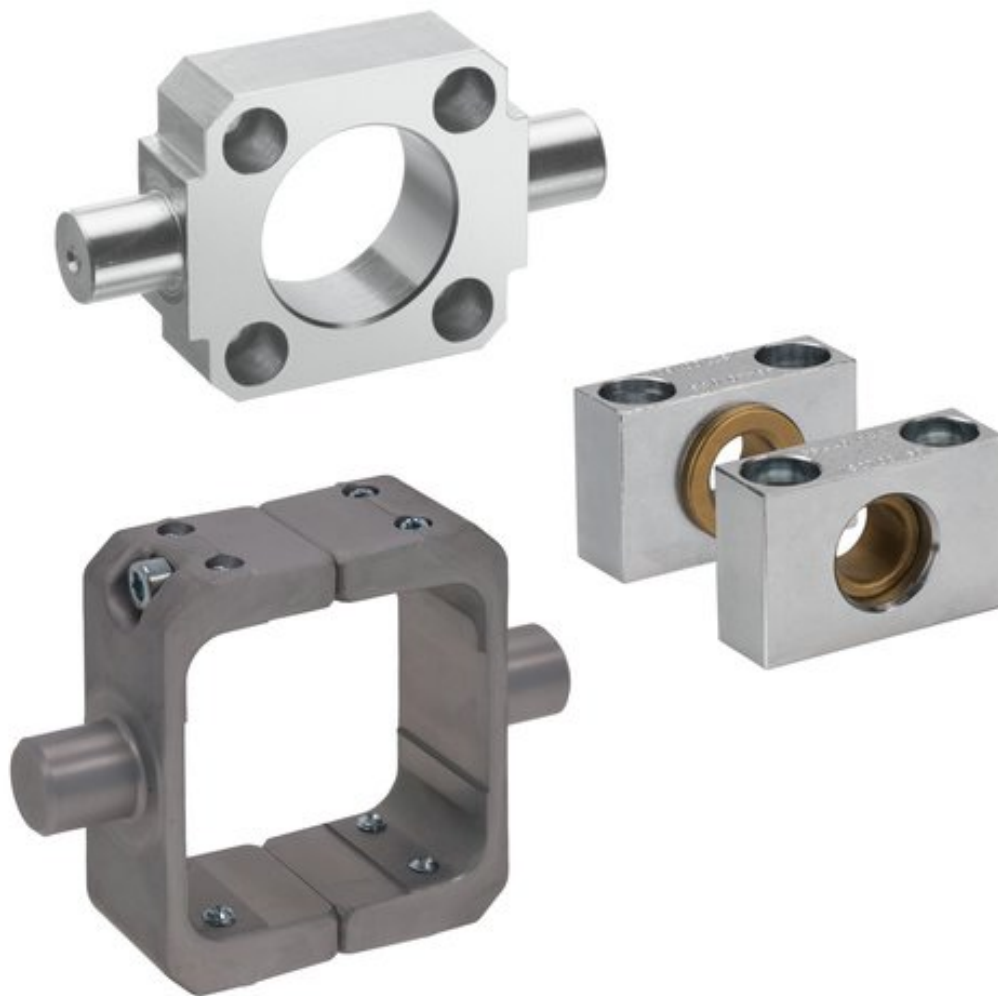


Trunnion mountings



AVENTICS™ Trunnion mountings



Trunnion mounting MT4, Series CM1

- Suitable piston Ø 32 40 50 63 80 100 mm

- for series 167



Technical data

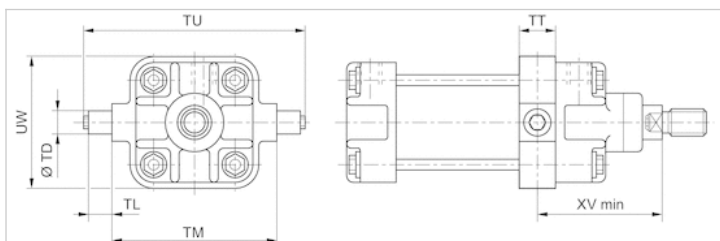
Part No.	Piston Ø
3672803000	32 mm
3672804000	40 mm
3672805000	50 mm
3672806000	63 mm
3672808000	80 mm
3672810000	100 mm

Technical information

Material

Material	Steel
----------	-------

Dimensions



Dimensions

Part No.	Piston Ø	TT	TD e9	TL h14	TM h14	TU	UW	XV min
3672803000	32 mm	16	12	12	50	74	48	61,5
3672804000	40 mm	23	16	16	63	95	61	74,5
3672805000	50 mm	23	16	10	75	107	71	79,5
3672806000	63 mm	33	20	20	90	130	86	91,5
3672808000	80 mm	33	20	20	110	150	112	100,5
3672810000	100 mm	45	25	25	132	182	134	115,5

Trunnion mounting MT4, Series CM1

- Suitable piston Ø 32 40 50 63 80 100 125 mm

- for series PRA



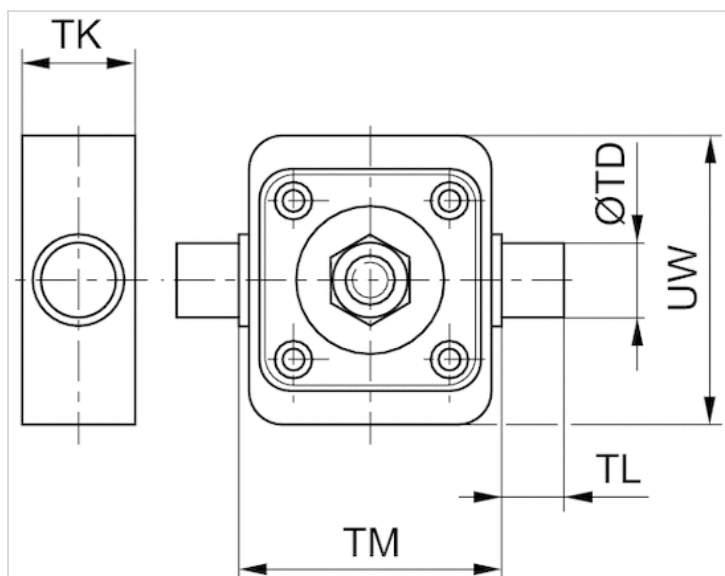
Technical data

Part No.	Piston Ø
1827003991	32 mm
1827003992	40 mm
1827003993	50 mm
1827003994	63 mm
1827003995	80 mm
1827003996	100 mm
1827003997	125 mm

Technical information

Material	
Material	Aluminum (forged)

Dimensions



Dimensions

Part No.	Piston Ø	TD e9	TK 1)	TL h14	TM h14	UW
1827003991	32 mm	12	22	12	50	70
1827003992	40 mm	16	28	16	63	78
1827003993	50 mm	16	28	16	75	96
1827003994	63 mm	20	35	20	90	108
1827003995	80 mm	20	35	20	110	130
1827003996	100 mm	25	46	25	132	150
1827003997	125 mm	25	46	25	160	171

1) Max.

Trunnion mounting MT5, MT6, Series CM1

- for mounting to the cylinder cover or base

- Suitable piston Ø 20 25 32 40 50 63 80 100 125 160 200 250 mm

- for series CCI, KPZ, CCL-IC/-IS CCL-IC/-IS KPZ CCI, CVI, CCL-IC/-IS, PRA/TRB CVI, CCL-IC/-IS, PRA, TRB ITS, TRB



Weight

See table below

The delivered product may vary from that in the illustration.

Technical data

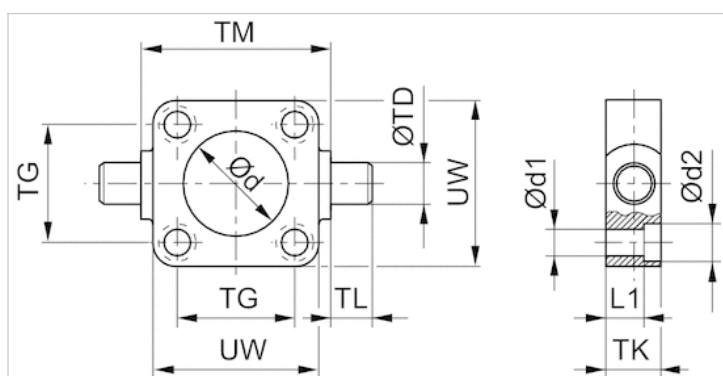
Part No.	Piston Ø	Housing material	Surface	Weight
1825805360	20 mm	Nodular graphite iron	galvanized	0.104 kg
1825805361	25 mm	Nodular graphite iron	galvanized	0.122 kg
R412026354	25 mm	Aluminum	anodized	-
1825805362	32 mm	Nodular graphite iron	galvanized	0.128 kg
1827001609	32 mm	Nodular graphite iron	galvanized	0.29 kg
1825805363	40 mm	Nodular graphite iron	galvanized	0.308 kg
1827001610	40 mm	Nodular graphite iron	galvanized	0.5 kg
1825805364	50 mm	Nodular graphite iron	galvanized	0.37 kg
1827001611	50 mm	Nodular graphite iron	galvanized	0.7 kg
1825805365	63 mm	Nodular graphite iron	galvanized	0.69 kg
1827002046	63 mm	Nodular graphite iron	galvanized	1.1 kg
1825805366	80 mm	Nodular graphite iron	galvanized	0.894 kg
1827001613	80 mm	Nodular graphite iron	galvanized	1.5 kg
1825805367	100 mm	Nodular graphite iron	galvanized	1.58 kg
1827001614	100 mm	Nodular graphite iron	galvanized	2.7 kg
1827001615	125 mm	Nodular graphite iron	galvanized	3.8 kg
1827001616	160 mm	Nodular graphite iron	galvanized	5.5 kg
1827001617	200 mm	Nodular graphite iron	galvanized	9.7 kg
1827001618	250 mm	Nodular graphite iron	galvanized	15.7 kg

Scope of delivery: trunnion mounting incl. mounting screws

Technical information

Material	
Material	Nodular graphite iron Aluminum
	galvanized anodized
Screws	Steel
	galvanized

Dimensions



Dimensions

Part No.	Piston \varnothing	$\varnothing d$ H11	$\varnothing d1$	$\varnothing d2$	L1	TD e9	TG $\pm 0,2$	TK	TL h14	TM h14	UW
1825805360	20 mm	18	5.5	10	8	12	22	14	12	38	35
1825805361	25 mm	22	5.5	10	8	12	26	14	12	42	39
R412026354	25 mm	24	5.5	10	8	12	26	14	12	42	39
1825805362	32 mm	32	6.6	10.5	7	12	32	14	12	52	46
1827001609	32 mm	30	6.6	11	7.5	12	32.5	16	12	50	48
1825805363	40 mm	46	6.6	11	12	16	42	19	16	63	59
1827001610	40 mm	35	6.6	11	7.5	16	38	20	16	63	56
1825805364	50 mm	53	9	14	10	16	50	19	16	75	69
1827001611	50 mm	40	9	15	10	16	46.5	24	16	75	65
1825805365	63 mm	69	9	15	15	20	62	24	20	90	84
1827002046	63 mm	45	9	15	10	20	56.5	24	20	90	75
1825805366	80 mm	87	11	18	13	20	82	24	20	110	102
1827001613	80 mm	45	11	18	16	20	72	28	20	110	100
1825805367	100 mm	55	11	18	18	25	103	29	25	132	125
1827001614	100 mm	55	11	18	25.5	25	89	38	25	132	120
1827001615	125 mm	60	14	20	34	25	110	46	25	160	145
1827001616	160 mm	65	18	26	38	32	140	50	32	200	184
1827001617	200 mm	75	18	26	40	32	175	60	32	250	224
1827001618	250 mm	90	22	33	57	40	220	70	40	320	286

Trunnion mounting MP2, Series CM1

- Suitable piston Ø 32 40 50 63 mm

- for series RPC



Technical data

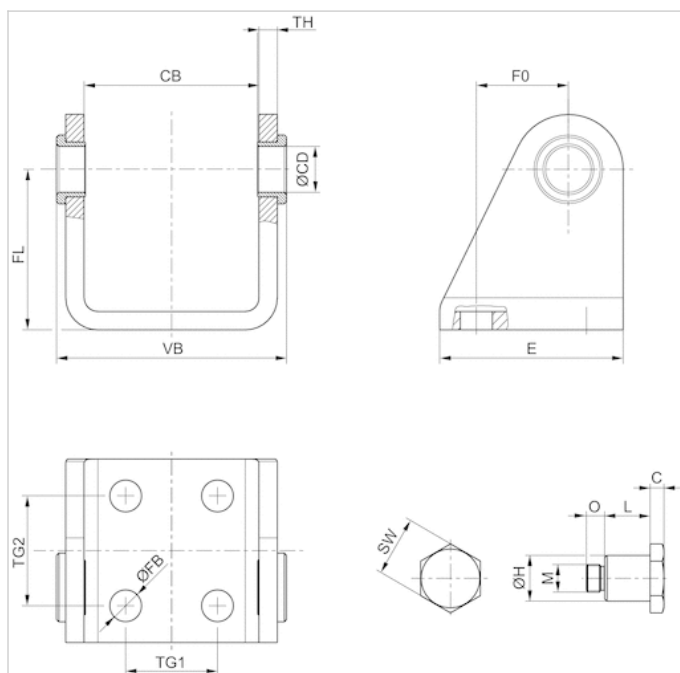
Part No.	Piston Ø
R412019988	32 mm
R412019989	40 mm
R412019990	50 mm
R412019991	63 mm

Scope of delivery: trunnion mounting incl. fitting screws

Technical information

Material	
Material	Steel galvanized

Dimensions



Dimensions

Part No.	Piston Ø	C	CB	Ø CD H9	E	Ø FB	FL	F0	Ø H e9	L	M	O	SW	TG1	TG2
R412019988	32 mm	3	38.1	10	40	7	35	20	10	9.9	M6x0,5	4	13	20	24
R412019989	40 mm	3	46.1	12	50	9	40	27	12	10.4	M6x0,5	4	17	28	30
R412019990	50 mm	4	57.1	14	54	9	45	30	14	12.9	M8x0,75	7	19	36	34
R412019991	63 mm	4	70.1	16	65	9	50	34	16	13.9	M8x0,75	7	19	42	35

TH	VB
4	50.1
5	60.1
6	74.1
6	87.1

Bearing, Series CM1

- for trunnion mounting

- Suitable piston \varnothing 25 32 40, 50 63, 80 100, 125 100 160, 200 250, 320 mm



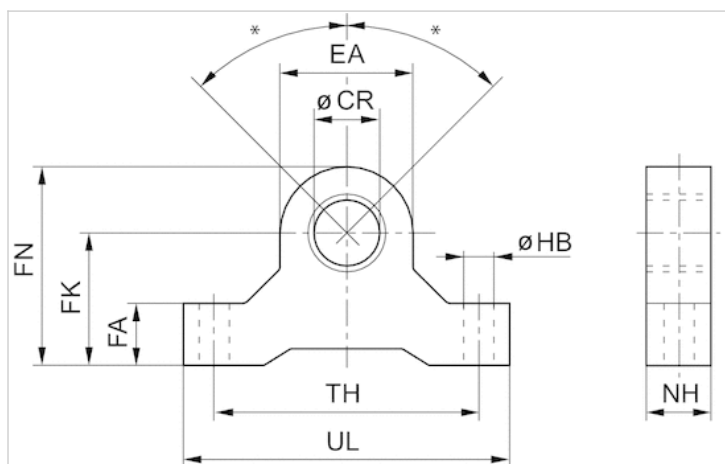
Technical data

Part No.	Piston \varnothing	Swivel bearing \varnothing	Scope of delivery
3671202000	25 mm	10 mm	2 piece
3671203000	32 mm	12 mm	2 piece
3671204000	40, 50 mm	16 mm	2 piece
3671206000	63, 80 mm	20 mm	2 piece
3671210000	100, 125 mm	25 mm	2 piece
3671212000	100 mm	30 mm	2 piece
3671216000	160, 200 mm	32 mm	2 piece
3671220000	250, 320 mm	35 mm	2 piece

Technical information

Material	
Material	Aluminum

Dimensions



* Max. pendulum movement for cylinders with rear eye MP6 with ball joint: $\pm 45^\circ$

Dimensions

Part No.	Ø CR H8	EA	FA	FK $\pm 0,1$	FN	HB	NH	TH	UL
3671202000	10	16	10	21	29	5.5	10	27	37
3671203000	12	19	11	22	32	6.6	11	44	55
3671204000	16	28	16	35	49	9	16	65	82
3671206000	20	38	19	40	59	9	19	80	99
3671210000	25	46	22	48	71	11	22	96	118
3671212000	30	56	28	57	88	13	28	114	142
3671216000	32	66	32	70	103	17	32	140	172
3671220000	35	66	32	70	103	17	32	140	172

Bearing AT4, Series CM1

- for trunnion mounting MT4, MT5, MT6
- Cylinder mounting in accordance with ISO 15552
- Suitable piston Ø 20, 25, 32 40, 50 63, 80 100, 125 160, 200 250 320 mm
- for series CCI, CCL-IC, ICL, KPZ, PRA/TRB CCI, CCL-IC, KPZ, PRA/TRB ITS



Standards

ISO 15552

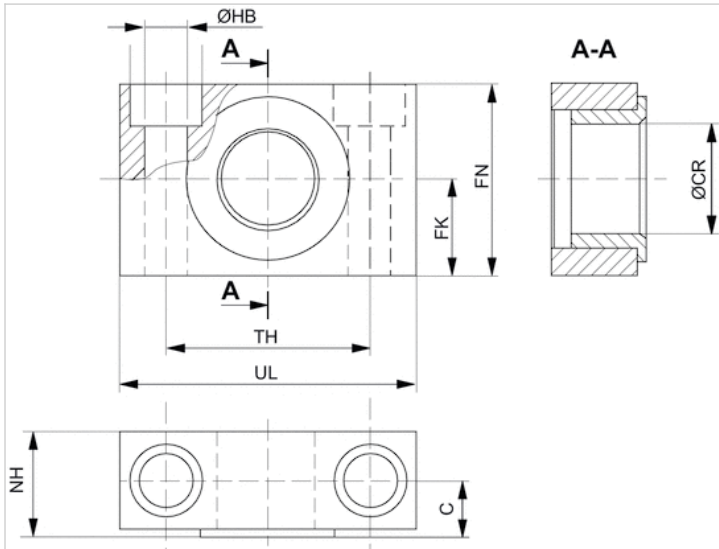
Technical data

Part No.	Piston Ø	Swivel bearing Ø	Scope of delivery
1827001603	20, 25, 32 mm	12 mm	2 piece
1827001604	40, 50 mm	16 mm	2 piece
1827001605	63, 80 mm	20 mm	2 piece
1827001606	100, 125 mm	25 mm	2 piece
1827001607	160, 200 mm	32 mm	2 piece
R412018908	250 mm	40 mm	2 piece
R412018903	320 mm	40 mm	2 piece

Technical information

Material	
Material	Steel
	galvanized
Guide bushing	Sintered bronze

Dimensions



Dimensions

Part No.	Piston Ø	UL	NH	TH	C	CR H9	HB H13	FN	FK	Plain bearing
1827001603	20, 25, 32 mm	46	18	32 ±0,2	10.5	12	6.6	30	15 ±0,1	Sintered bronze
1827001604	40, 50 mm	55	21	36 ±0,2	12	16	9	36	18 ±0,1	Sintered bronze
1827001605	63, 80 mm	65	23	42 ±0,2	13	20	11	40	20 ±0,1	Sintered bronze
1827001606	100, 125 mm	75	28.5	50 ±0,2	16	25	14	50	25 ±0,1	Sintered bronze
1827001607	160, 200 mm	92	40	60 ±0,3	22.5	32	18	60	30 ±0,2	Sintered bronze
R412018908	250 mm	140	50	90	27.5	40	22	70	35	Sintered bronze
R412018903	320 mm	150	60	100	32.5	50	26	80	40	Sintered bronze

Efficient pneumatic solutions, our program: cylinders and drives, valves and valve systems, air supply management



Visit us: Emerson.com/Aventics

Your local contact: Emerson.com/contactus



Emerson.com



[Facebook.com/EmersonAutomationSolutions](https://www.facebook.com/EmersonAutomationSolutions)



[LinkedIn.com/company/Emerson-Automation-Solutions](https://www.linkedin.com/company/Emerson-Automation-Solutions)



[Twitter.com/EMR_Automation](https://twitter.com/EMR_Automation)

An example configuration is depicted on the title page. The delivered product may thus vary from that in the illustration. Subject to change. This Document, as well as the data, specifications and other information set forth in it, are the exclusive property of AVENTICS GmbH. It may not be reproduced or given to third parties without its consent. Only use the AVENTICS products shown in industrial applications. Read the product documentation completely and carefully before using the product. Observe the applicable regulations and laws of the respective country. When integrating the product into applications, note the system manufacturer's specifications for safe use of the product. The data specified only serve to describe the product. No statements concerning a certain condition or suitability for a certain application can be derived from our information. The information given does not release the user from the obligation of own judgment and verification. It must be remembered that the products are subject to a natural process of wear and aging.

The Emerson logo is a trademark and service mark of Emerson Electric Co. Brand logotype are registered trademarks of one of the Emerson family of companies. All other marks are the property of their respective owners. © 2017 Emerson Electric Co. All rights reserved.
2019-03



CONSIDER IT SOLVED™